

DISS Medical Supply Unit Outlets

Oxygen | Vacuum | Medical Air | Nitrous Oxide | Nitrogen | Carbon Dioxide
Anesthetic Gas Scavenging System

Features

- ✓ Patented Cartridge Valve Design
- ✓ Zero-maintenance secondary check valve
- ✓ Easy to Service
- ✓ Bilingual Labelling
- ✓ CSA Certified
- ✓ CRN Registered



Specifications

Provide Class 1 Inc. DISS MSU medical gas outlets complete with unitized cartridge type primary check valve, stainless steel ball type secondary check valve, protective dust cap, chrome plated brass outlet body with permanently embossed gas identification, and hose barb or DISS inlet suitable for connection to a flexible hose assembly.

The entire medical gas outlet nameplate to be permanently colour coded in accordance with CSA Z305.1-M92 /Z7396.1 labelled in English and French and sealed behind a protective Lexan cover. A plastic trim spacer shall allow flush mounting of the nameplate.

The internal support bracket shall be gas-specific complete with permanently stamped gas identification.

The medical gas outlets shall be designed so that, once installed, routine service of both the primary and secondary check valves can be accomplished without removing the nameplate or gas specific components. Outlets requiring removal of the nameplate or gas specific components for routine service shall not be acceptable. Outlets requiring gas shut off and routine service of the secondary check valve shall not be acceptable. There shall be no secondary check valve for vacuum service.

The name of the gas service to be permanently embossed on the outlet bracket and the chrome plated brass outlet body.

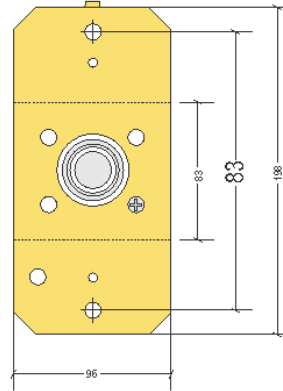
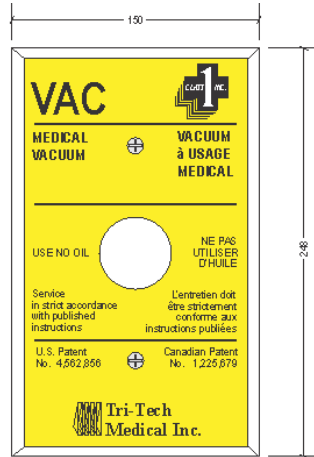
The medical gas outlets to be capable of supporting dispensing equipment without the use of additional brackets.

The medical gas outlets to be factory cleaned for oxygen service, and capped and sealed in a protective container for shipment.

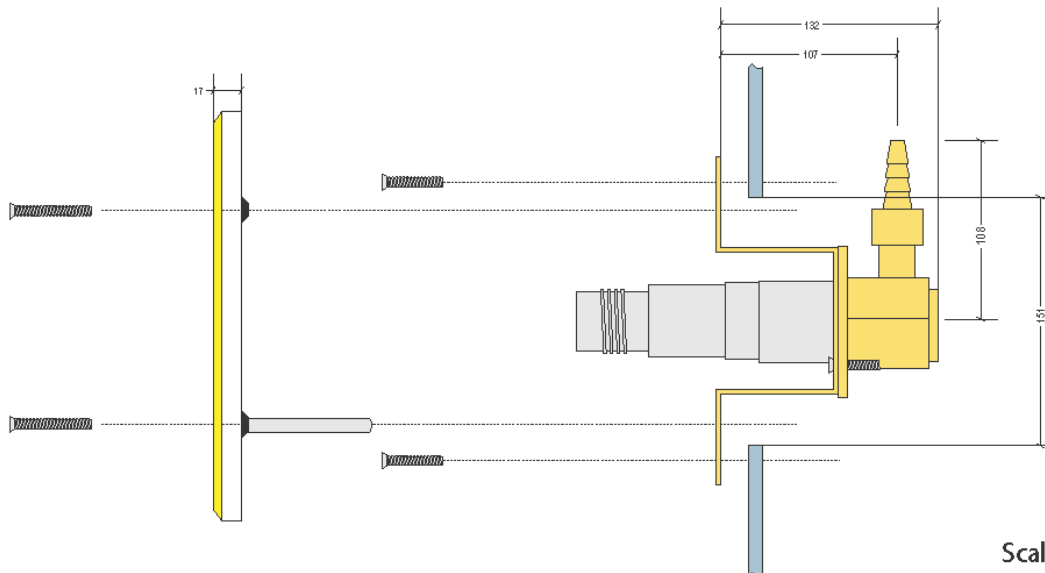
DISS Medical Supply Unit Outlets

Oxygen | Vacuum | Medical Air | Nitrous Oxide | Nitrogen | Carbon Dioxide
Anesthetic Gas Scavenging System

Dimensions



M51 Series



Scale: 1:2

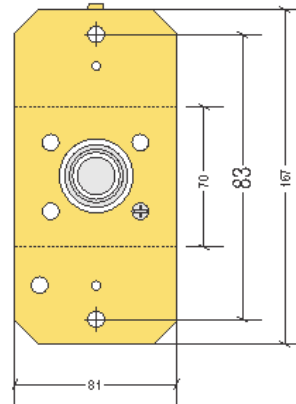
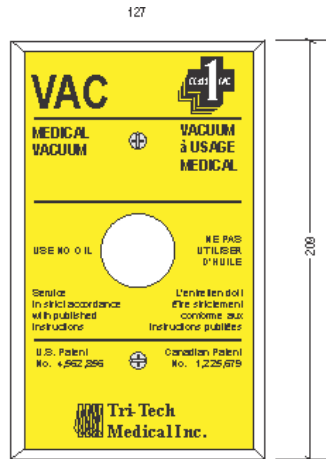
Ordering Information

Oxygen	Vacuum	Nitrous Oxide	Medical Air	Nitrogen	Carbon Dioxide	Anesthetic Gas Scavenging System
M5124A	M5122	M5104	M5116	M5112	M5108	M5132

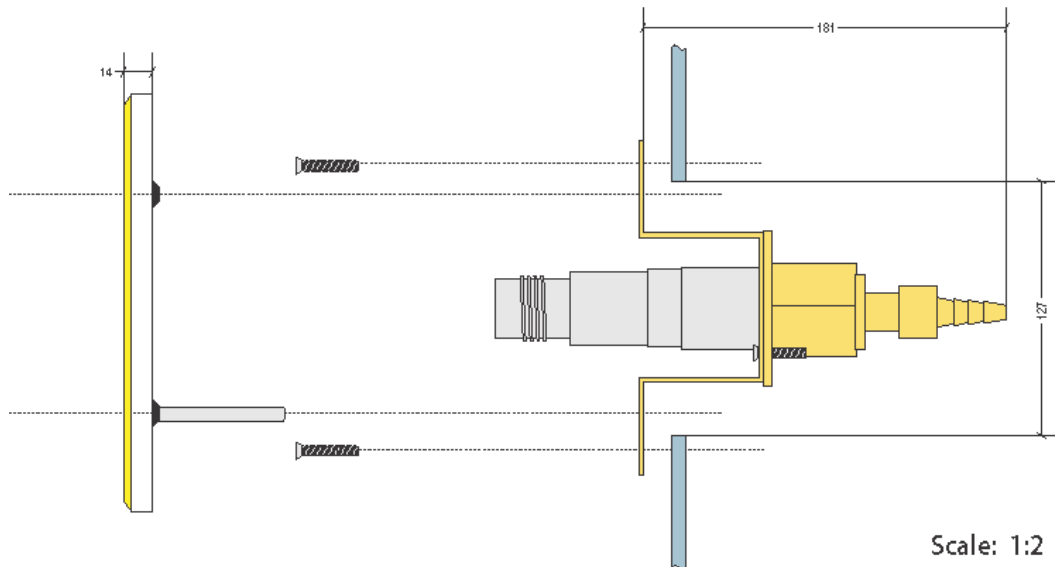
DISS Medical Supply Unit Outlets

Oxygen | Vacuum | Medical Air | Nitrous Oxide | Nitrogen | Carbon Dioxide
Anesthetic Gas Scavenging System

Dimensions



M52 Series



Scale: 1:2

Ordering Information

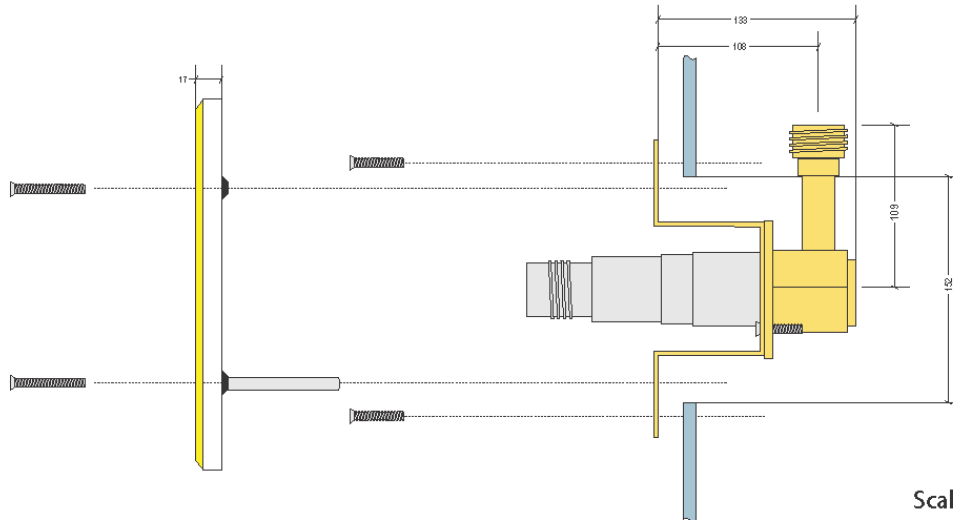
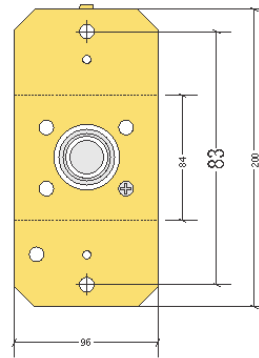
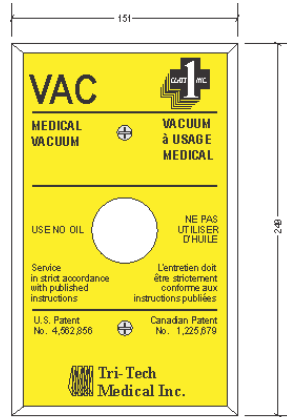
Oxygen	Vacuum	Nitrous Oxide	Medical Air	Nitrogen	Carbon Dioxide	Anesthetic Gas Scavenging System
M5224A	M5222	M5204	M5216	M5212	M5208	M5232

DISS Medical Supply Unit Outlets

Oxygen | Vacuum | Medical Air | Nitrous Oxide | Nitrogen | Carbon Dioxide
Anesthetic Gas Scavenging System

Dimensions

M53 Series



Scale: 1:2

Ordering Information

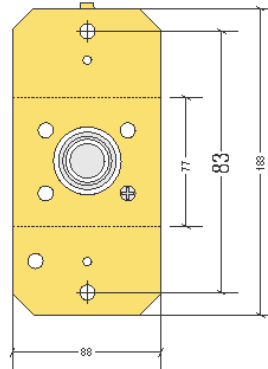
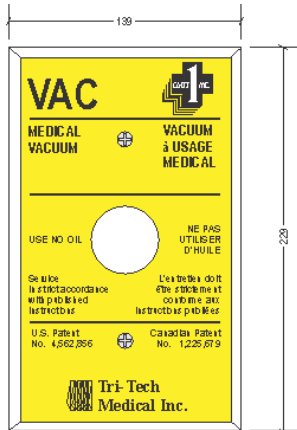
Oxygen	Vacuum	Nitrous Oxide	Medical Air	Nitrogen	Carbon Dioxide	Anesthetic Gas Scavenging System
M5324A	M5322	M5304	M5316	M5312	M5308	M5332



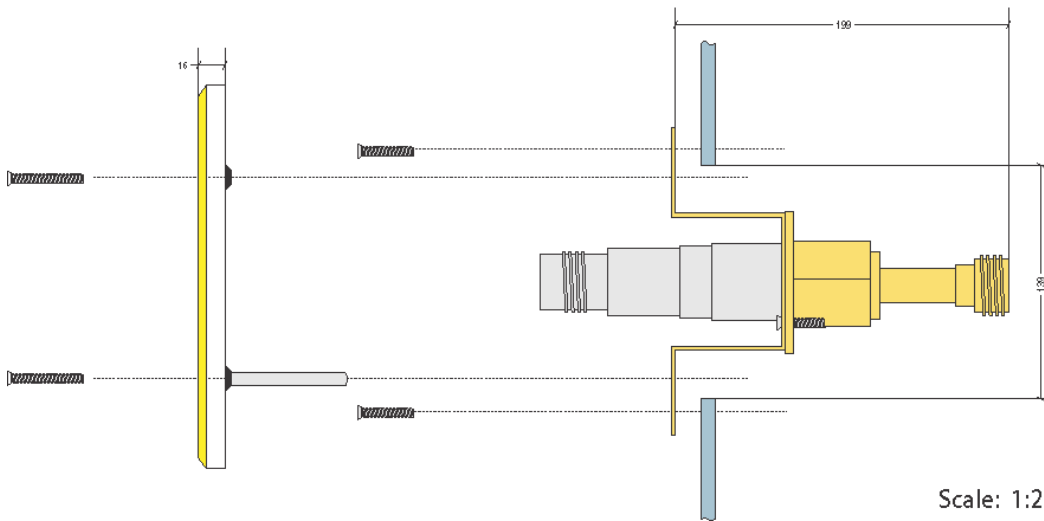
DISS Medical Supply Unit Outlets

Oxygen | Vacuum | Medical Air | Nitrous Oxide | Nitrogen | Carbon Dioxide
Anesthetic Gas Scavenging System

Dimensions



M54 Series



Scale: 1:2

Ordering Information

Oxygen	Vacuum	Nitrous Oxide	Medical Air	Nitrogen	Carbon Dioxide	Anesthetic Gas Scavenging System
M5424A	M5422	M5404	M5416	M5412	M5408	M5432