



DISS FRONTALL™ Surgical Arm/Ambulance Outlets

Oxygen | Vacuum | Medical Air | Nitrous Oxide | Nitrogen | Carbon Dioxide
WAGD | Instrument Air

Features

- ✓ Ease of Maintenance
- ✓ Gas specific DISS outlet body
- ✓ Bilingual Labelling
- ✓ CSA Certified
- ✓ CRN Registered
- ✓ Pin indexed faceplate and back
- ✓ Removable front assembly
- ✓ 360° swivel inlet tube
- ✓ Metal back and nameplate
- ✓ Provides support for dispensing equipment without the use of additional brackets



Examples above - XM5322 Vacuum Outlets

Specifications

The Class 1 Inc. Frontall™ medical gas recessed outlets represent the most technically advanced means of providing medical gas connections to the central piping system. The outlets incorporate a unique patented front-loaded feature which makes the outlet easy to repair, saving valuable time and money.

The outlets shall be modular singles, and shall incorporate nameplate colour coding in accordance with CSA Z305.1 / Z7396.1 / NFPA99.

The medical gas outlets shall be designed so that, once installed, routine service of both the primary and secondary check valves can be accomplished without removing the nameplate or gas specific portions. The primary check valve shall be utilized and of the cartridge type. So that the primary check valve can be removed for service without shutting off the gas supply to the outlet, the secondary check valve shall operate automatically to stop the free flow of the pressure gas. There shall be no secondary check for vacuum or WAGD services. Medical gas outlets which require the removal of the nameplate or gas specific components for routine service shall not be acceptable. The seal between the nameplate and the rough-in shall be a double O-ring which is serviceable without shutting off the gas service and is capable of supporting 10 pounds @ 2" from the nameplate without leaking.

The outlet nameplate shall be permanently colour coded. The outlet trim plate part # XC1000-10 (optional - shown below) shall be a durable plastic, scratch resistant, attached with the nameplate to the rough-in assembly, and provide automatic adjustment from 1/8 to 3/4 of an inch. The name of the gas service shall be permanently marked on the outlet bracket and the chrome plated brass outlet body. The outlet's rough-in supply connection shall be either a DISS male (XF53 or XF54 series) or a 1/4" hose barb for positive gas pressure services or a 5/16" hose barb for vacuum and WAGD services (XF51 or XF52 series).

Medical gas outlets shall be cleaned for oxygen service in accordance with the current Compressed Gas Association (CGA) Pamphlet G-4.1, capped and placed in a protective container for shipment. The outlets shall be installed in strict accordance with manufacturer's instructions, and tested before use in conformance with local and federal codes.

XF5316 with XC1000-10 trim plate

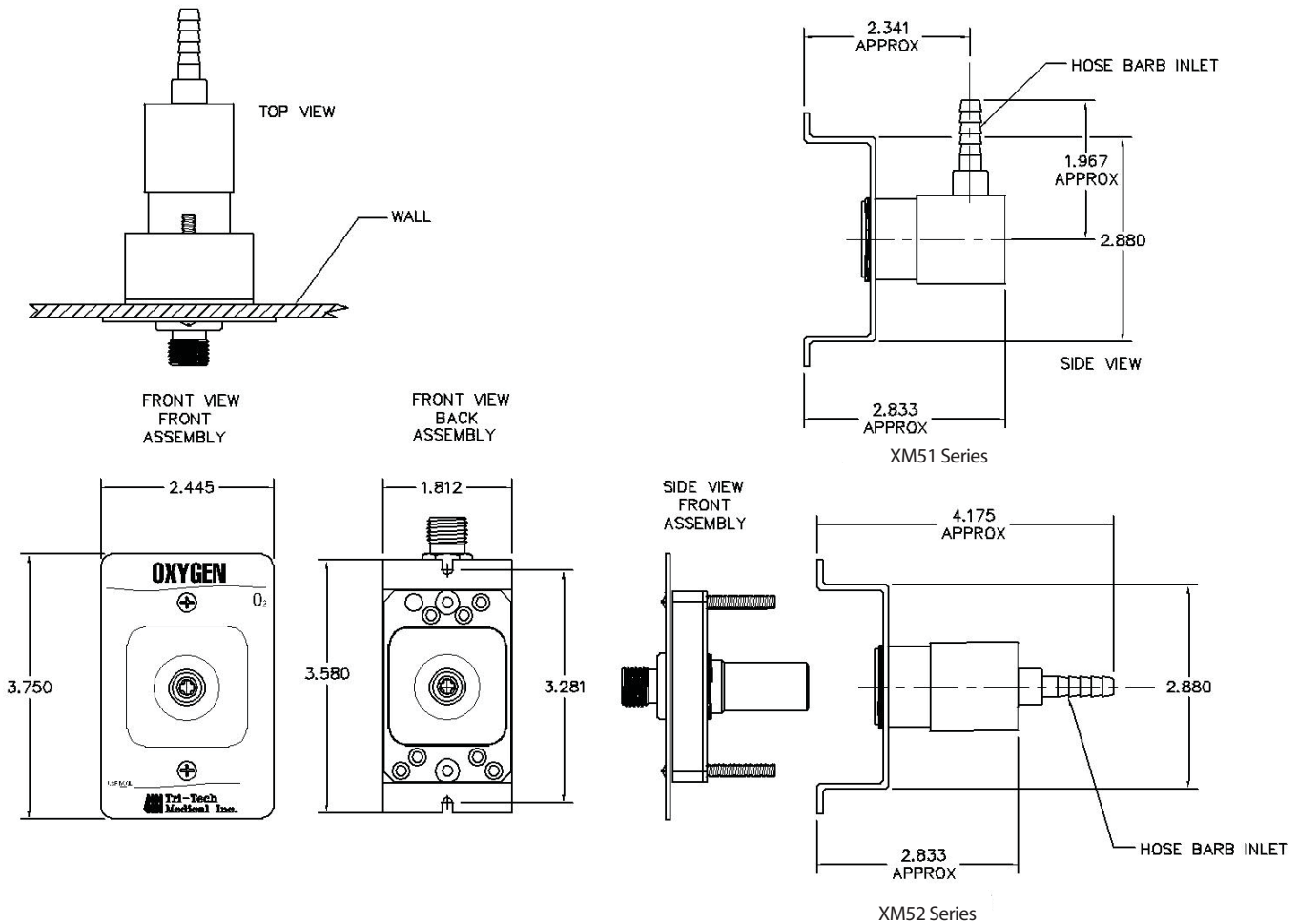




DISS FRONTALL™ Surgical Arm/Ambulance Outlets

Oxygen | Vacuum | Medical Air | Nitrous Oxide | Nitrogen | Carbon Dioxide
WAGD | Instrument Air

Layout



Ordering Information

Medical Air	Nitrous Oxide	Oxygen	Medical Vacuum	Nitrogen	WAGD	Carbon Dioxide	Instrument Air
XM5116 ¼ Hose Barb	XM5104 ¼ Hose Barb	XM5124A ¼ Hose Barb	XM5122 5/16 Hose Barb	XM5112 ¼ Hose Barb	XM5132 5/16 Hose Barb	XM5108 ¼ Hose Barb	XM512080 ¼ Hose Barb

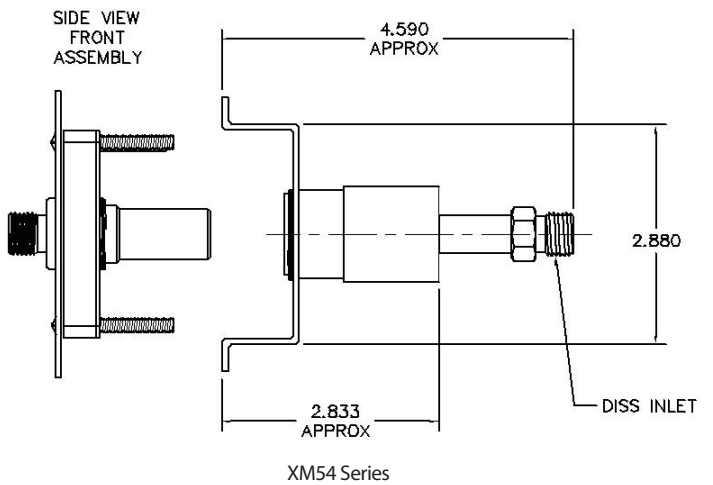
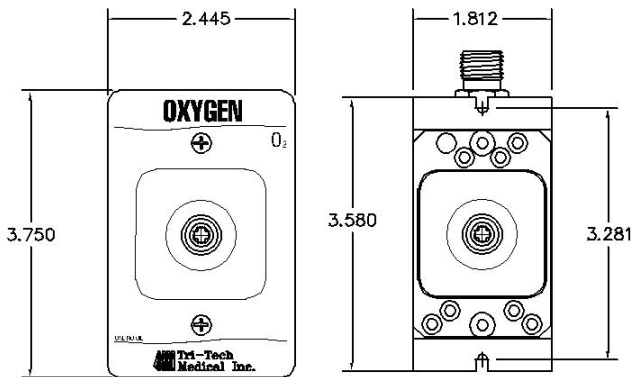
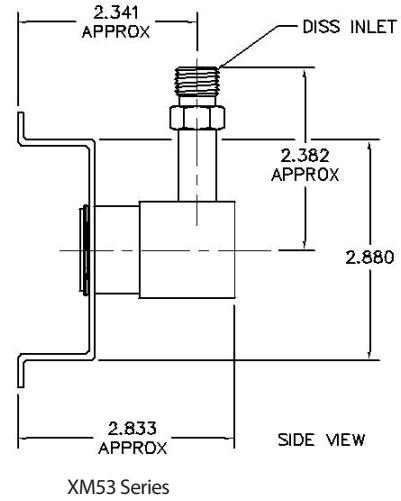
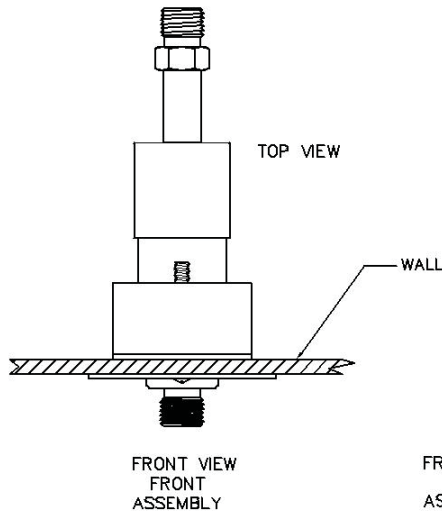
Medical Air	Nitrous Oxide	Oxygen	Medical Vacuum	Nitrogen	WAGD	Carbon Dioxide	Instrument Air
XM5216 ¼ Hose Barb	XM5204 ¼ Hose Barb	XM5224A ¼ Hose Barb	XM5222 5/16 Hose Barb	XM5212 ¼ Hose Barb	XM5232 5/16 Hose Barb	XM5208 ¼ Hose Barb	XM522080 ¼ Hose Barb



DISS FRONTALL™ Surgical Arm/Ambulance Outlets

Oxygen | Vacuum | Medical Air | Nitrous Oxide | Nitrogen | Carbon Dioxide
WAGD | Instrument Air

Layout



Ordering Information

Medical Air	Nitrous Oxide	Oxygen	Medical Vacuum	Nitrogen	WAGD	Carbon Dioxide	Instrument Air
XM5316	XM5304	XM5324A	XM5322	XM5312	XM5332	XM5308	XM532080

Medical Air	Nitrous Oxide	Oxygen	Medical Vacuum	Nitrogen	WAGD	Carbon Dioxide	Instrument Air
XM5416	XM5404	XM5424A	XM5422	XM5412	XM5432	XM5408	XM542080