

## DISS Console Outlets

Oxygen | Vacuum | Medical Air | Nitrous Oxide | Nitrogen | Carbon Dioxide  
Anesthetic Gas Scavenging System

### Features

- ✓ Patented Cartridge Valve Design
- ✓ Zero-maintenance secondary check valve
- ✓ Easy to Service
- ✓ Bilingual Labelling
- ✓ CSA Certified
- ✓ CRN Registered



### Specifications

Provide Class 1 Inc. DISS recessed medical gas console outlets complete with unitized cartridge type primary check valve, stainless steel ball type secondary check valve, protective dust cap, chrome plated brass outlet body with permanently embossed gas identification, and 3/8" OD Type "K" inlet supply tube.

The entire medical gas outlet nameplate to be permanently colour coded in accordance with CSA Z305.1-M92 / Z7396.1, labelled in English and French and sealed behind a protective Lexan cover.

The internal support bracket shall be gas-specific complete with permanently stamped gas identification.

The medical gas outlets shall be designed so that, once installed,

routine service of both the primary and secondary check valves can be accomplished without removing the nameplate or gas specific components. Outlets requiring removal of the nameplate or gas specific components for routine service shall not be acceptable. Outlets requiring gas shut off and routine service of the secondary check valve shall not be acceptable. There shall be no secondary check valve for vacuum service.

The name of the gas service to be permanently embossed on the outlet bracket and the chrome plated brass outlet body.

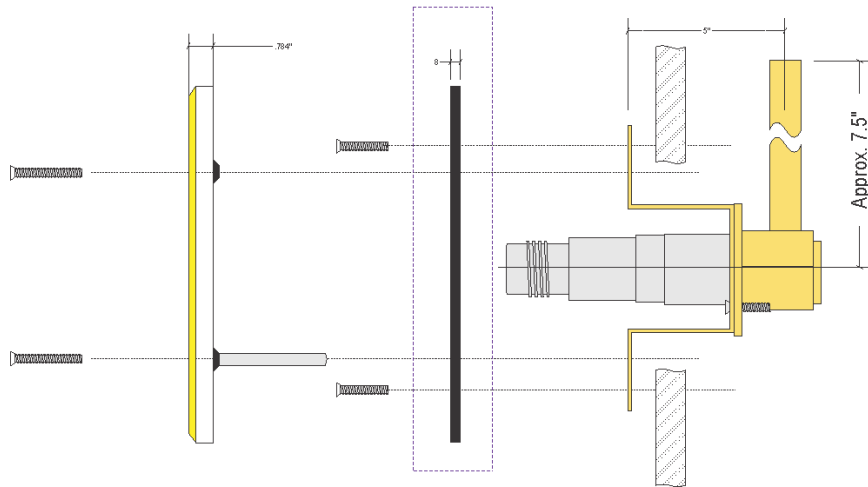
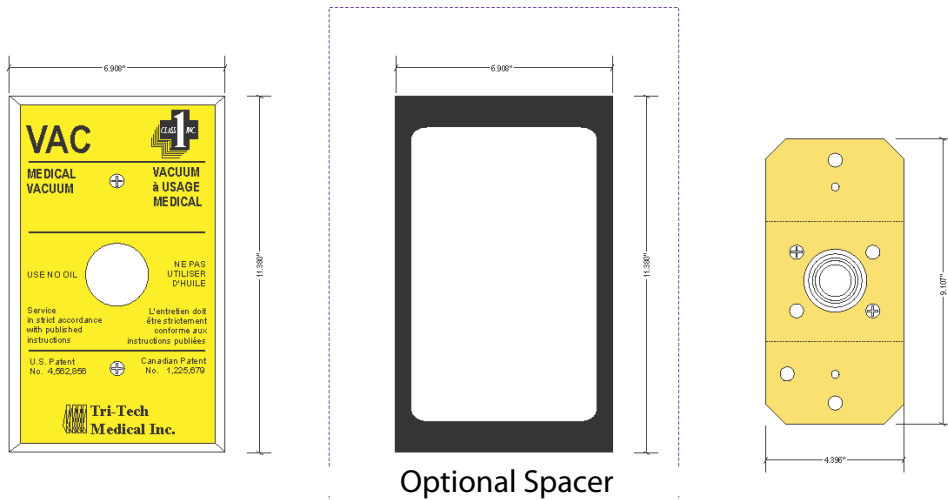
The medical gas outlets to be capable of supporting dispensing equipment without the use of additional brackets.

The medical gas outlets to be factory cleaned for oxygen service, and capped and sealed in a protective container for shipment.

## DISS Console Outlets

Oxygen | Vacuum | Medical Air | Nitrous Oxide | Nitrogen | Carbon Dioxide  
Anesthetic Gas Scavenging System

### Dimensions



Scale: 1:2

### Ordering Information

Oxygen	Vacuum	Nitrous Oxide	Medical Air	Nitrogen	Carbon Dioxide	Anesthetic Gas Scavenging System
M5724A	M5722	M5704	M5716	M5712	M5708	M5732

Optional Spacer - M57-SPACER