



MSU Risers

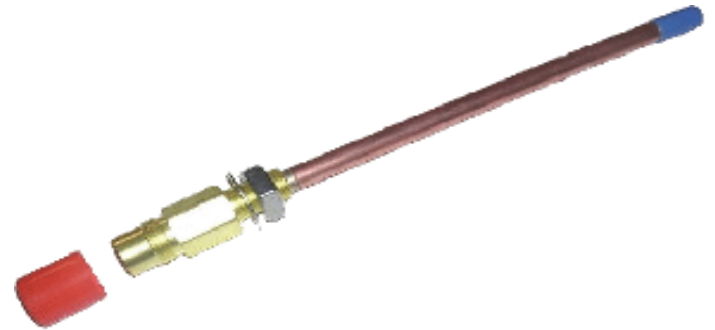
Oxygen | Vacuum | Medical Air | Nitrous Oxide | Nitrogen | Carbon Dioxide
Anesthetic Gas Scavenging System

- ✓ DISS junction point
- ✓ Optional Cartridge Check Valve
- ✓ Brass outlet body
- ✓ Permanently embossed gas ID
- ✓ Bulkhead mounting provision

Specifications

Class 1 DISS medical gas risers complete with protective dust cap, brass outlet body, Type "K" copper inlet supply tube and bulkhead mounting provision.

The name of the gas service to be permanently embossed on the riser body.



The risers to be factory cleaned for oxygen service, and capped and sealed in a protective container for shipment.

[Optional: Unitized cartridge type primary check valve.]

[Optional: Threaded gas cap with or without chain.]

Ordering Information

GAS SERVICE	No Check Valve PART #	Check Valve PART #
Oxygen	AC8824A	AC8924A
Medical Vacuum	AC8822	AC8922
Medical Air	AC8816	AC8916
Nitrogen	AC8812	AC8912
Carbon Dioxide	AC8808	AC8908
Nitrous Oxide	AC8804	AC8904
Anesthetic Gas Scavenging System	AC8832	AC8932

* To order Gas Cap with chain and MSU Riser add - GC after the part number (Eg. AC8822-GC)

Threaded Gas Cap Ordering

GAS SERVICE	Without Chain	With Chain
Oxygen	GC8124	GC8224
Anesthetic Gas Scavenging System	GC8132	GC8232
All Other Gas Services	GC8100	GC8200

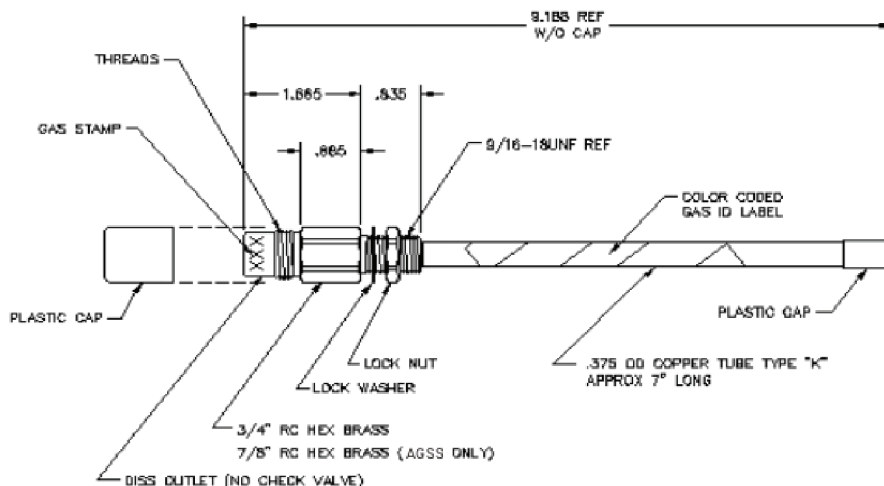




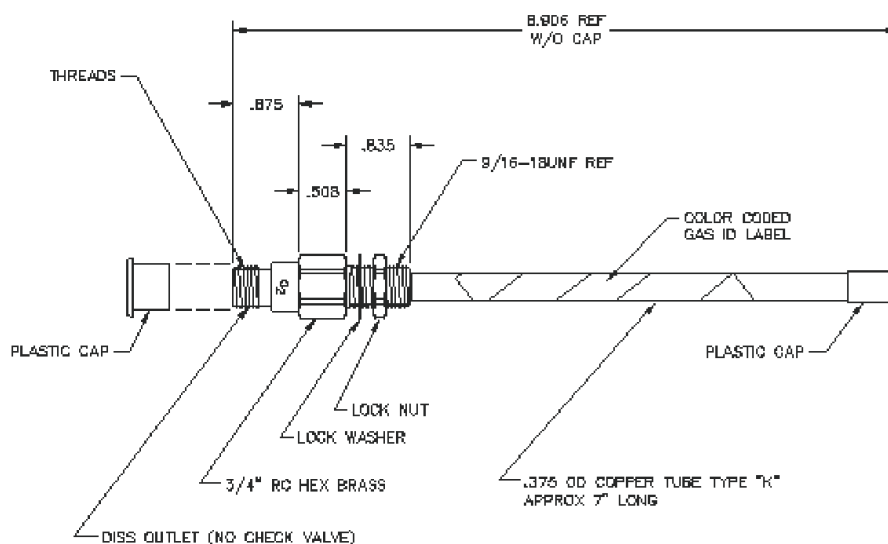
MSU Risers

Oxygen | Vacuum | Medical Air | Nitrous Oxide | Nitrogen | Carbon Dioxide
Anesthetic Gas Scavenging System

BULKHEAD RISER OUTLET BODY ASSEMBLY



ALL GASES EXCEPT OXYGEN



OXYGEN ONLY