

Butterfly Valves - Lug Style

2 1/2" | 3" | 4" | 6"

- In-Line Serviceable
- Locking Handle and Collar
- Ductile Iron Body
- CRN Registered



*For Vacuum Service Only

Specifications

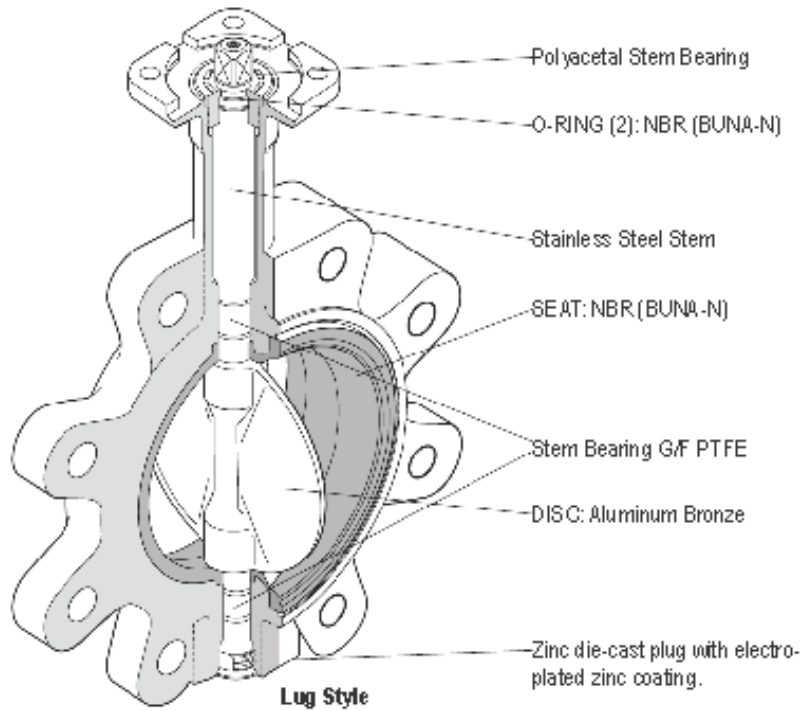
Class 1 Butterfly Valves shall be lug style, cleaned for oxygen service, factory pressure tested, in-line serviceable and bi-directional differential pressure rating of 200 PSI.

The Butterfly Valves - Lug style shall be complete with a ductile iron body, lever handle, aluminum bronze disc, stainless steel stem with top and bottom bushing of dissimilar materials with positive stem retention mechanism, 2" extended neck to allow for insulation, and bonded or cartridge style seat of BUNA-N (NBR) rubber.

Valves to be packaged for cleanliness.

Butterfly Valves - Lug Style

2 1/2" | 3" | 4" | 6"

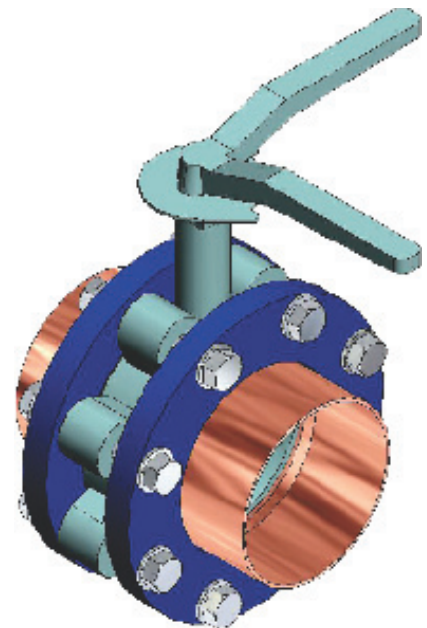


Order Information - image above

Model No.	Pipe Size (Inches)	Pipe Size (mm)
BFV-LUG-2 1/2	2 1/2	65
BFV-LUG-3	3	80
BFV-LUG-4	4	100
BFV-LUG-6	6	150

Order Information - image across

Model No.	Pipe Size (Inches)	Pipe Size (mm)
BFV-LUGASSY-2 1/2	2 1/2	65
BFV-LUGASSY-3	3	80
BFV-LUGASSY-4	4	100
BFV-LUGASSY-6	6	150



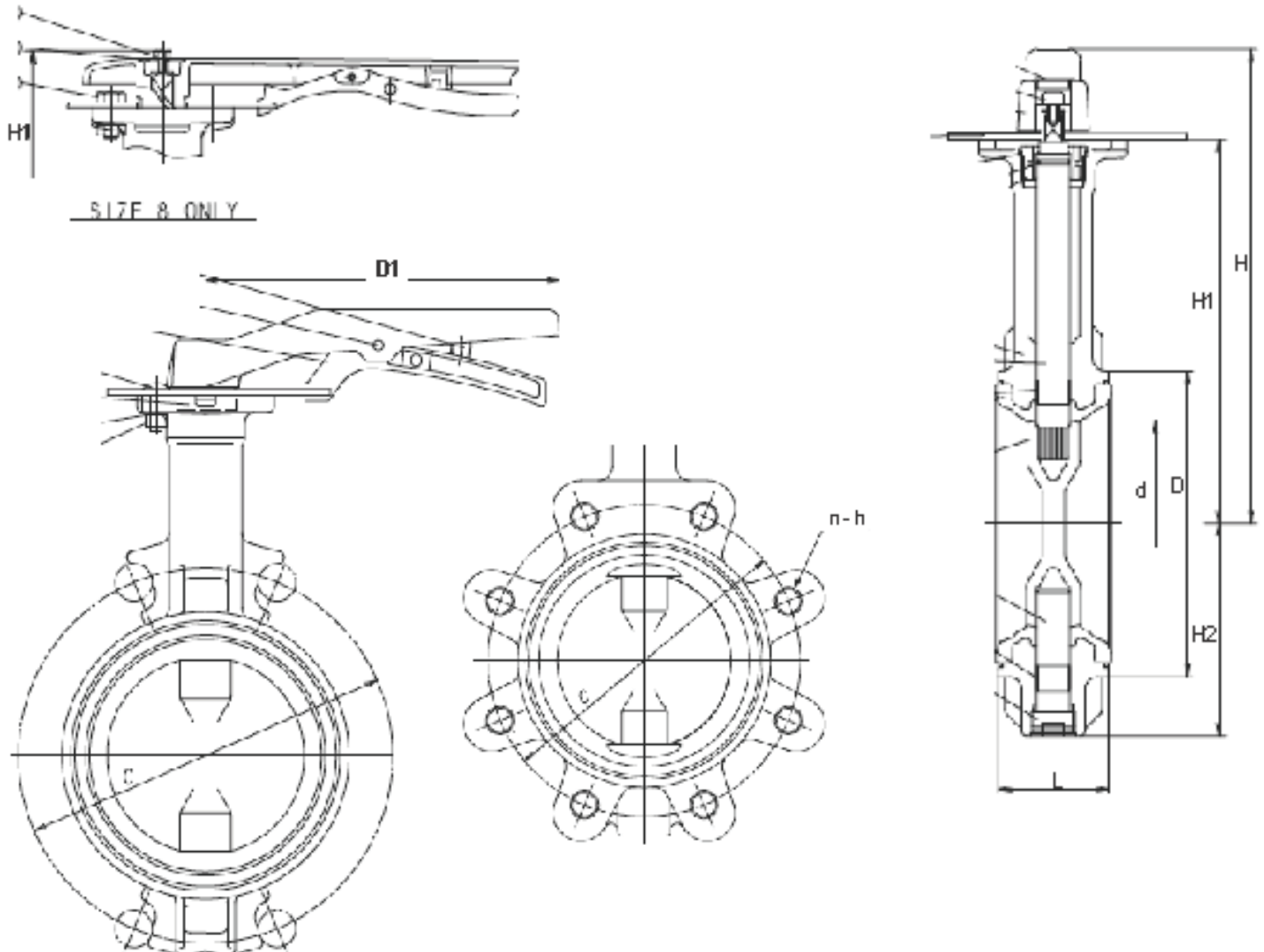
Lug Style Assembly
with Flanges, pipe extensions & bolts

Butterfly Valves - Lug Style

2 1/2" | 3" | 4" | 6"

Dimensions

Pipe Size mm (")	d	H	H1	H2	L	D	D1	a	b	h
65 (2 1/2)	2.56	25.4	6.10	2.95	1.81	4.09	7.09	3.94	.47	.28
80 (3)	3.15	8.54	6.81	3.58	1.81	4.88	7.09	3.94	.47	.28
100 (4)	3.94	8.94	7.20	3.98	2.05	5.75	7.09	3.94	.47	.28
150 (6)	5.91	10.91	8.78	5.47	2.20	8.11	9.05	3.94	.47	.28
200 (8)	7.76	11.20	9.76	6.65	2.36	10.12	13.78	5.16	.47	.28

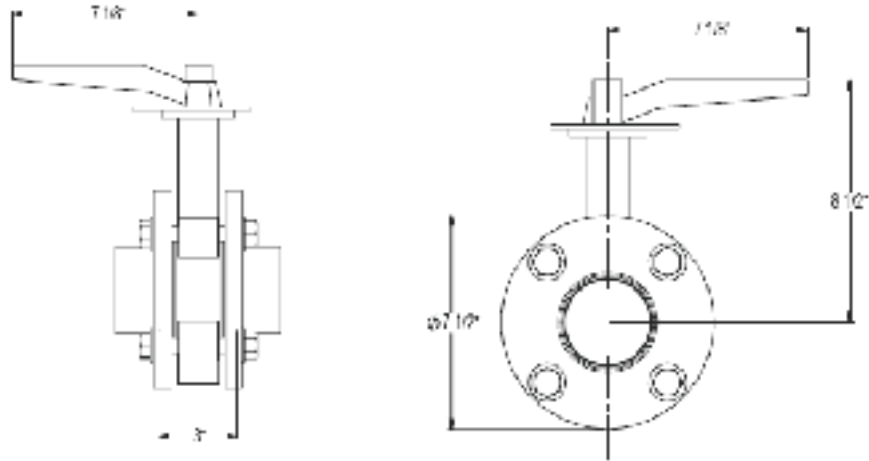


Butterfly Valves - Lug Style

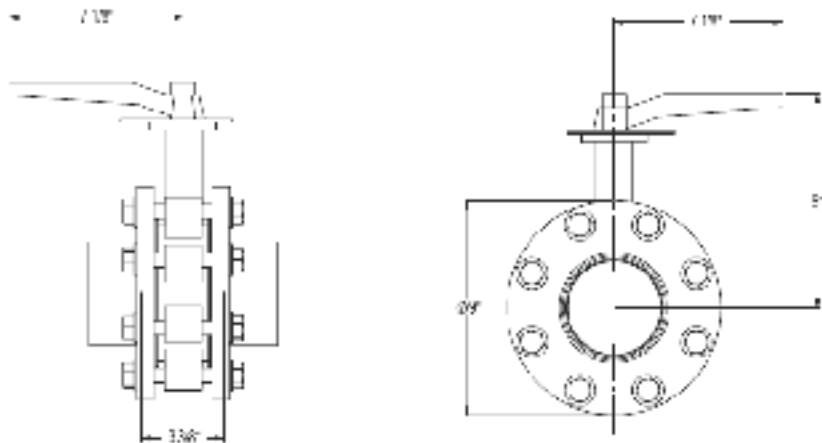
2 1/2" | 3" | 4" | 6"

Dimensions

3 inch assembly



4 inch assembly



6 inch assembly

