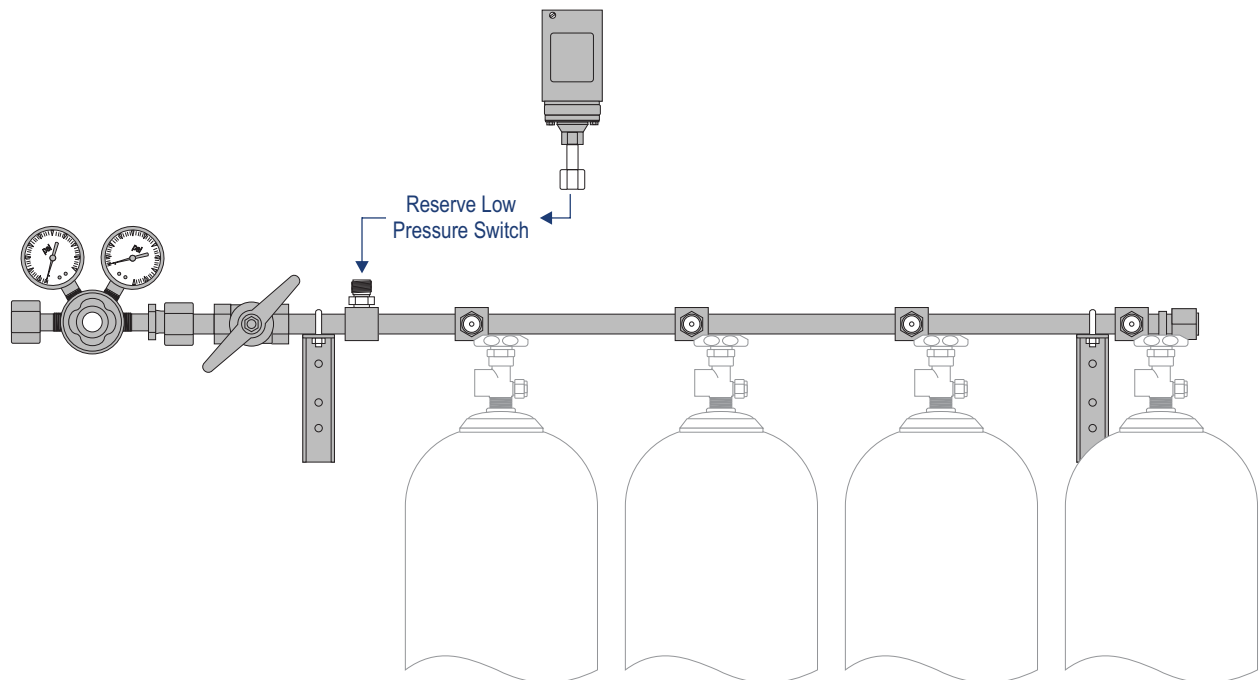


Carbon Dioxide Reserve Manifold

Standard - Staggered - Vertical Crossover
U-Shaped L-Shaped Configuration

- ✓ Three Standard Header Styles
- ✓ Expandable Header Bar
- ✓ Complete with Wall Mounting Hardware
- ✓ High Quality Brass Master Shut-off Valve
- ✓ Integral Pigtail Check Valves
- ✓ Integral Header Connection Check Valves
- ✓ Integral "Reserve Low" Port
- ✓ Labelled for Medical Air Service
- ✓ Pressure Compensated Delivery Regulator



Specifications

Class 1 Inc. Carbon Dioxide Reserve Manifold, Model No CCLA-8- ___ [#of cylinders], factory assembled and tested, cleaned for oxygen service, and meeting the requirements of CSA Z305.1-M92 / Z7396.1 & NFPA99.

The manifold shall feature an expandable header bar rated for 3000 PSI, gas specific inlet connectors with integral check valve, individual header valves, "Reserve

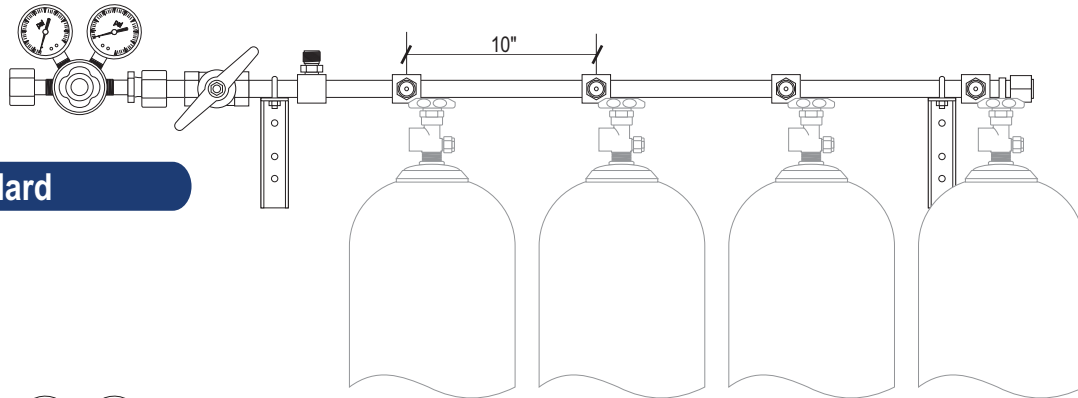
Low" port, high quality brass Master Shut-off valve and heavy duty pressure compensated delivery pressure regulator with 1/2" MNPT outlet connection.

The manifold shall be provided complete with gas specific teflon-lined flexible stainless steel pigtails, wall mounting hardware and shall be labelled for Carbon Dioxide service and factory packaged for cleanliness.

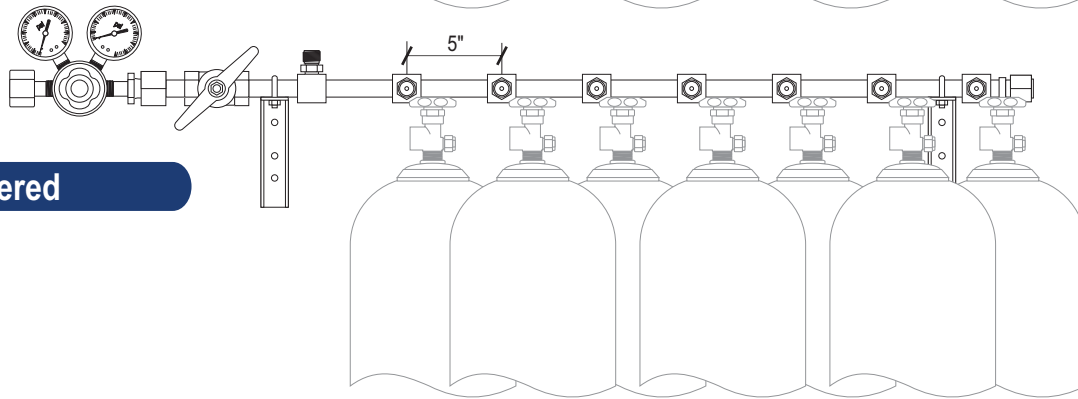
Carbon Dioxide Reserve Manifold

Standard - Staggered - Vertical Crossover
U-Shaped L-Shaped Configuration

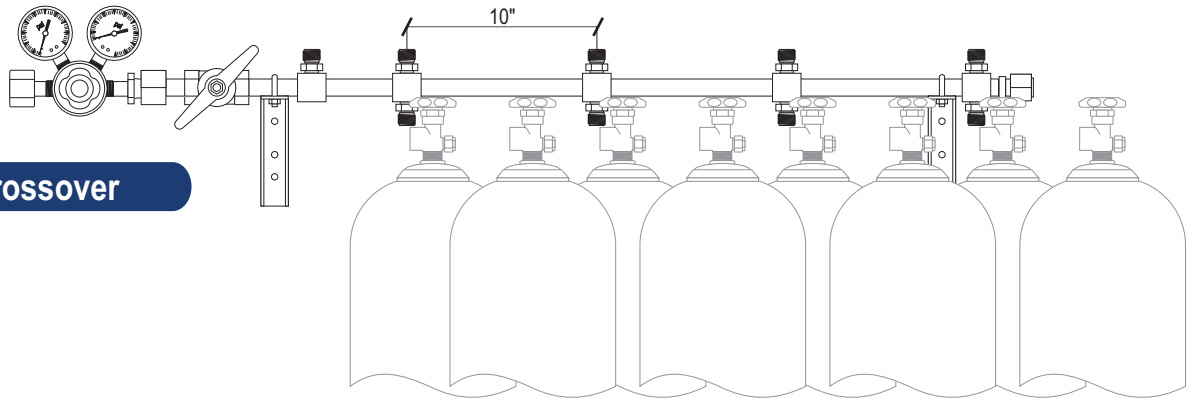
Standard



Staggered



Vertical Crossover



Order Information

Model No. [insert # of cyls]	Configuration	3 Cyls (m)	4 Cyls (m)	5 Cyls (m)	6 Cyls (m)	7 Cyls (m)	8 Cyls (m)	9 Cyls (m)	Add'l Cyls (m)
CCLA-8-__	Standard	1.35	1.60	1.85	2.13	2.39	2.64	2.90	0.26
CCLA-8-__ST	Staggered	0.97	1.09	1.22	1.35	1.47	1.60	1.73	0.13
CCLA-8-__VC	Vertical Crossover	N/A	1.09	N/A	1.35	N/A	1.60	N/A	0.26 (pr)
CCLA-8-__U	U-Shaped	Custom	Custom	Custom	Custom	Custom	Custom	Custom	Custom
CCLA-8-__L	L-Shaped	Custom	Custom	Custom	Custom	Custom	Custom	Custom	Custom