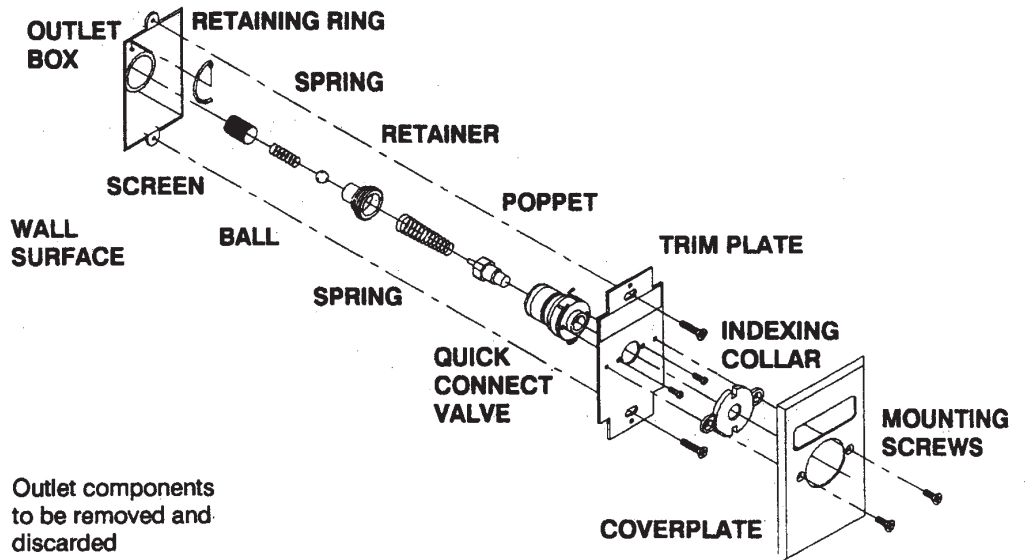




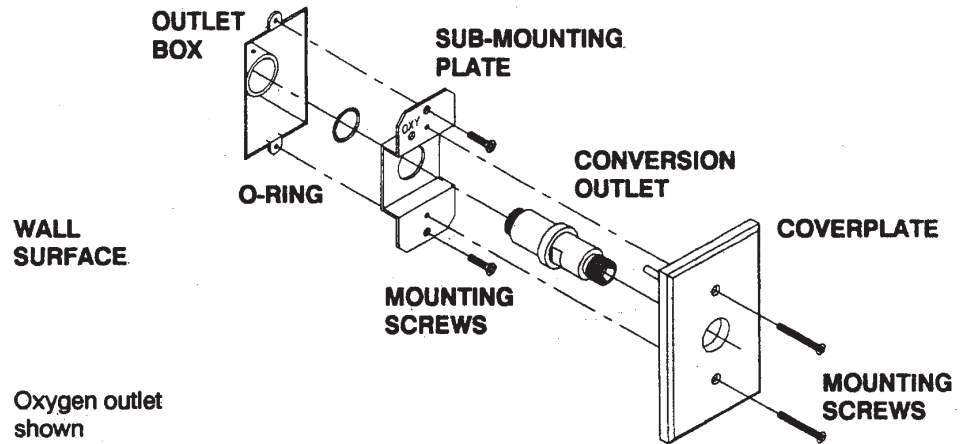
DISS Conversion Outlets - Ohio Diamond I

M4024A Oxygen | M4022 Vacuum | M4016 Medical Air | M4004 Nitrous Oxide

Ohio Diamond I Outlet



Class 1 Conversion Outlet



Tools



Phillips Screwdriver

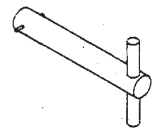


Flat Blade Screwdriver

Loctite®
(Supplied with
conversion kit)



5/8" Hex Wrench



Retainer Removal Tool
No. M9900TW

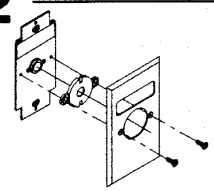
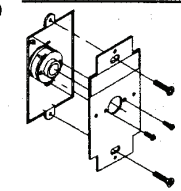
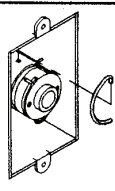
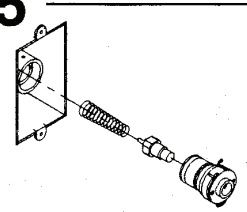
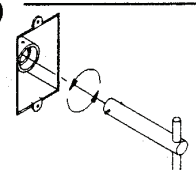
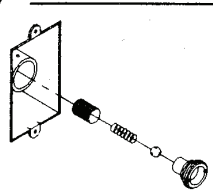
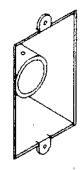
Refer to reverse side for detailed instructions.



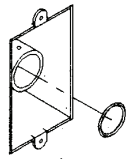
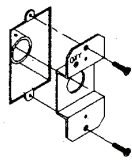
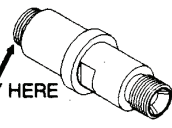
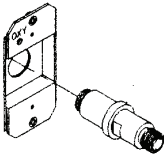
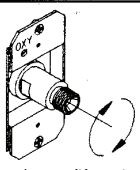
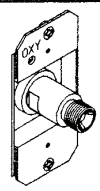
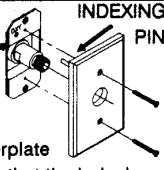
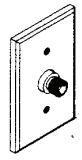
DISS Conversion Outlets - Ohio Diamond I

M4024A Oxygen | M4022 Vacuum | M4016 Medical Air | M4004 Nitrous Oxide

Ohio Diamond | Outlet Disassembly

<p>1</p> <p>CLOSE THE AREA ZONE VALVE.</p> <p>Warning: Do not close zone valve until all personnel have been advised of the intended service and all systems requiring medical gas are being supplied from portable or alternate supplies.</p>	<p>2</p>  <p>Remove the mounting screws that attach the coverplate and indexing collar.</p>	<p>3</p>  <p>Remove the four (4) mounting screws holding the sub-mounting plate.</p>	<p>4</p>  <p>Use a flat blade screwdriver or another suitable tool to pry off the large retaining ring..</p>
<p>5</p>  <p>Remove the quick-connect and the spring and poppet.</p>	<p>6</p>  <p>Using the retainer removal tool, align the pin in the retainer grooves and turn counter-clockwise to loosen the retainer.</p>	<p>7</p>  <p>Remove the retainer, ball, spring, and screen filter.</p>	<p>8</p>  <p>Clean all loose chips and debris from the outlet.</p>

Class 1 Conversion Outlet Installation Instructions

<p>1</p>  <p>Insert o-ring so that it seats against the shoulder in the valve cavity.</p>	<p>2</p>  <p>Position sub-mounting plate in box so that the gas name can be read from the front and assemble loosely with screws.</p>	<p>3</p>  <p>APPLY HERE</p> <p>Apply Loctite® adhesive to male threads on outlet. Apply 4 drops approximately 90° apart. DO NOT apply to first thread.</p>	<p>4</p>  <p>Insert conversion outlet through opening. Screw in handtight.</p>
<p>5</p>  <p>Using a 5/8" hex wrench, tighten outlet to secure washer and sub-mounting plate. (If outlet box is recessed below wall surface, it may be necessary to use a crowsfoot wrench.)</p>	<p>6</p>  <p>Tighten mounting screws and test in accordance with CSA Pamphlet Z305.1.</p>	<p>7</p>  <p>INDEXING HOLE</p> <p>INDEXING PIN</p> <p>Position coverplate over outlet so that the indexing pin slides through the indexing hole on the sub-mounting plate. Attach with mounting screws.</p>	<p>8</p>  <p>Conversion complete. Attach mating equipment.</p>