

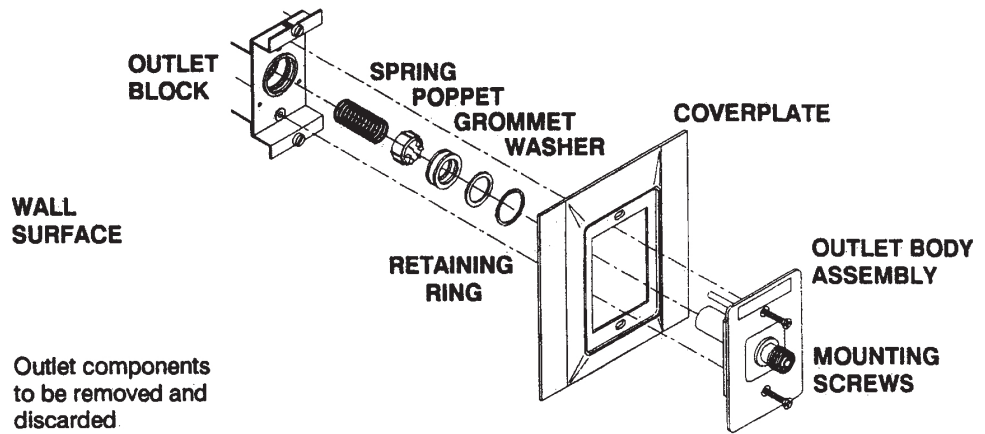


DISS Conversion Outlets - Puritan Series B - Amico

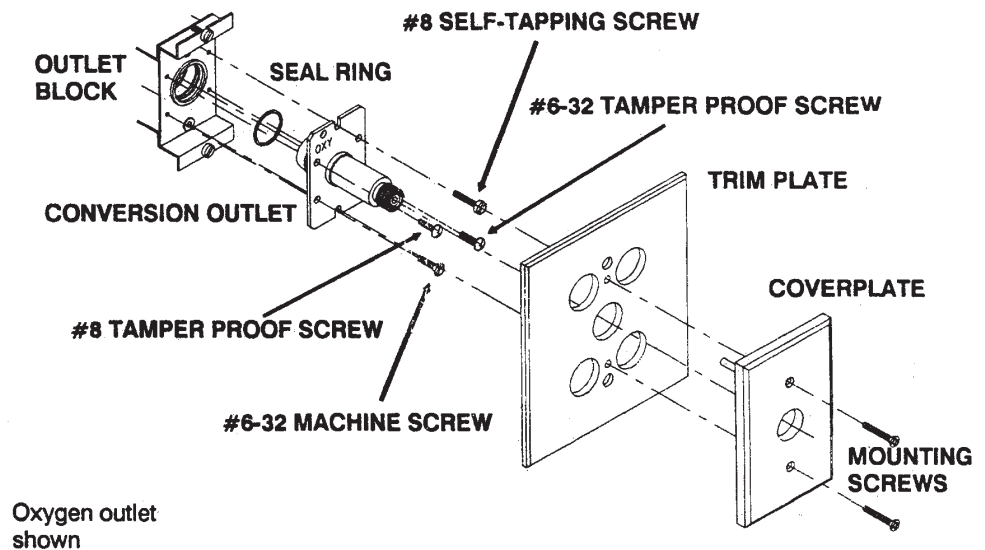
M4624A Oxygen | M4622 Vacuum | M4616 Medical Air | M4604 Nitrous Oxide

Amico
Outler

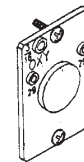
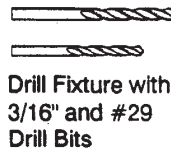
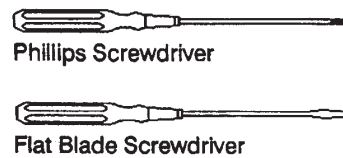
Puritan Series B
Outlet



Class 1 Conversion
Outlet



Tools



Drill Fixture Part No.
Oxygen M4624DF
Vacuum M4622DF
Medical Air M4616DF
Nitrous Oxide M4604DF

Refer to reverse side for detailed instructions.



DISS Conversion Outlets - Puritan Series B - Amico

M4624A Oxygen | M4622 Vacuum | M4616 Medical Air | M4604 Nitrous Oxide

Amico or Puritan Series B Outlet Disassembly

1

CLOSE THE AREA ZONE VALVE.

Warning: Do not close zone valve until all personnel have been advised of the intended service and all systems requiring medical gas are being supplied from portable or alternate supplies.

2

Loosen the mounting screws and remove the coverplate and outlet body assembly.

3

RETAINING RING LOCATED HERE

Using a flat blade screwdriver, pry off the internal retaining ring.

4

Remove washer, sealing grommet, poppet, and spring.

Class 1 Conversion Outlet Installation Instructions

1

Install drill fixture plate. Tighten mounting screws alternately until snug. Text on plate should be upright.

2

Drill one 3/16 dia. indexing hole and two #29 dia. holes through the appropriately marked drill bushings.

3

Remove drill fixture plate and clean all loose chips and debris from the outlet block.

4

O-RING

Lubricate o-ring on conversion outlet. CAUTION: Use an oxygen compatible lubricant.

5

Slide Teflon® seal ring over back diameter of conversion outlet until it stops against the shoulder.

6

Insert conversion outlet into existing outlet and push into place. Indexing pin should engage original indexing hole.

7

Start the #6-32 machine screw and the #8 self-tapping screw into the diagonally opposite holes as shown and alternately tighten each one turn until plate is drawn down snug.

8

Test the outlet in accordance with CSA Pamphlet Z305.1.

9

Install the #6-32 tamper proof screw and the #8 self-tapping tamper proof screw as shown.

10

Position appropriate trim plate over outlet and install Frontall coverplate.

11

Conversion complete. Attach mating equipment.