



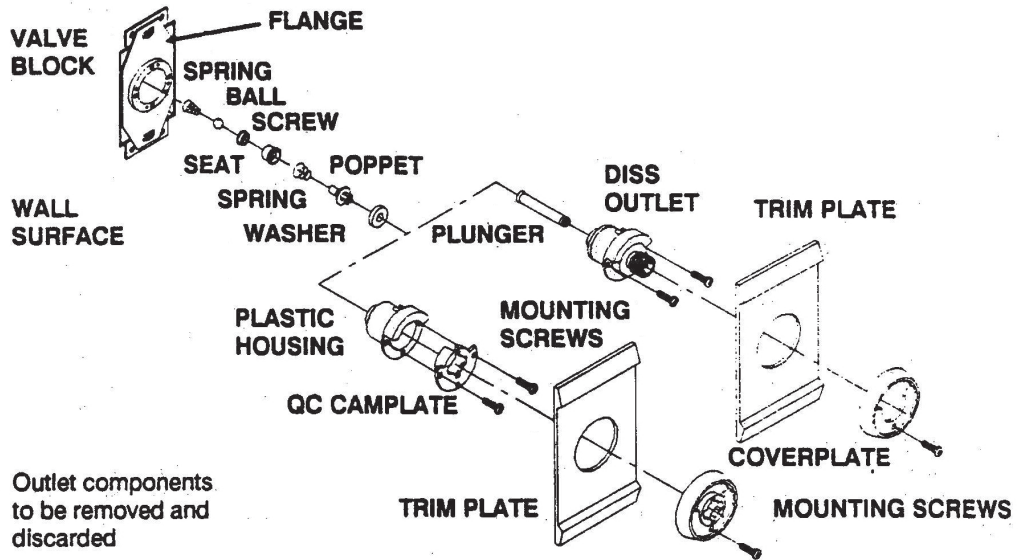
## DISS Conversion Outlets - Universal Oxequip / MedStar

M3724A Oxygen | M3722 Vacuum | M3716 Medical Air | M3704 Nitrous Oxide

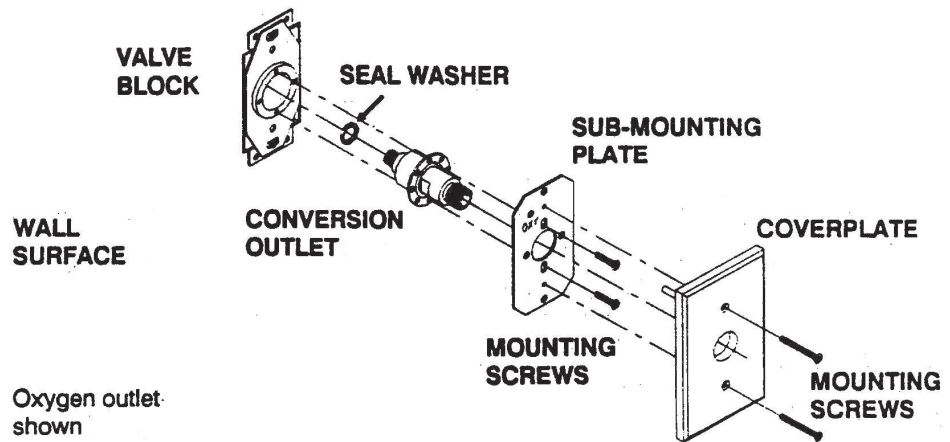
Oxequip 07  
5/8 - 24 Outlet

MedStar  
Smoothbore  
Outlet

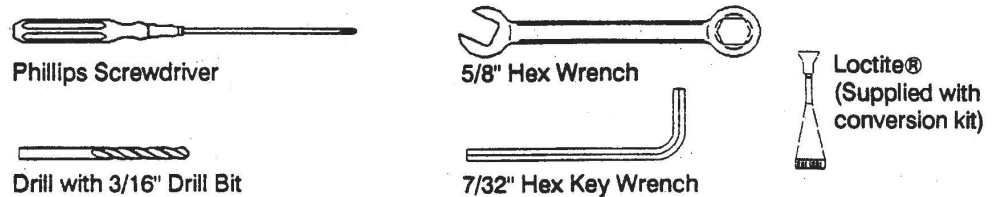
MedStar  
5/8 - 27  
Outlet



Class 1 Conversion  
Outlet



### Tools



Refer to reverse side for detailed instructions.



## DISS Conversion Outlets - Universal Oxequip / MedStar

M3724A Oxygen | M3722 Vacuum | M3716 Medical Air | M3704 Nitrous Oxide

### Oxequip or MedStar Outlet Disassembly

<p><b>1</b></p> <p><b>CLOSE OFF ZONE VALVE PROVIDING GAS TO THE OUTLET.</b></p>	<p><b>2</b></p> <p>Remove the mounting screw and outlet coverplate.</p>	<p><b>3</b></p> <p>Remove the trim plate.</p>	<p><b>4</b></p> <p>Remove the mounting screws holding the valves to the valve block.</p>
<p><b>5</b></p> <p>Remove the valve components.</p>	<p><b>6</b></p> <p>Using the 7/32" hex key wrench, unscrew the primary check screw.</p>	<p><b>7</b></p> <p>Remove the screw, seat, ball and spring from the valve block.</p>	<p><b>8</b></p> <p>Clean all loose chips and debris from the valve block.</p>

### Class 1 Conversion Outlet Installation Instructions

<p><b>1</b></p> <p>Drill two holes in the flange. Drill one hole 1 5/8" above center and one 1 5/8" below center using a 3/16" drill bit.</p>	<p><b>2</b></p> <p>Slide the Teflon® sealing washer over the threads on the back of the conversion outlet.</p>	<p><b>3</b></p> <p>Apply Loctite® adhesive to male threads on outlet. Apply 4 drops approximately 90° apart. DO NOT apply to first thread.</p>	<p><b>4</b></p> <p>Insert the conversion outlet into the valve block cavity and turn clockwise to screw outlet into position HANDTIGHT.</p>
<p><b>5</b></p> <p>Turn the outlet approximately 1/4 turn further and line up mounting holes in outlet flange. DO NOT OVERTIGHTEN.</p>	<p><b>6</b></p> <p>Align sub-mounting plate so that the gas name can be read from the front. Attach with screws and then test outlet in accordance with CSA Z305.1.</p>	<p><b>7</b></p> <p>Using indexing hole having gas designation stamp adjacent to it as a guide, drill a 3/16" hole through the existing backplate.</p>	<p><b>8</b></p> <p>Align the coverplate so that the indexing pin slides through the indexing hole on the sub-mounting plate. Attach with mounting screws.</p>