

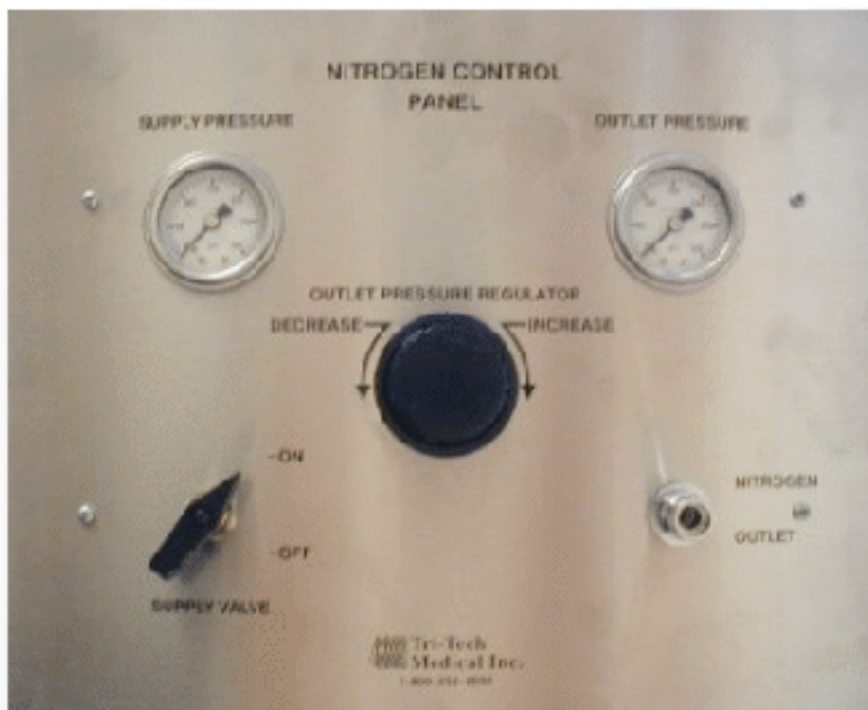


## Gas Control Panel

NCP-100 IP-100  
IP-100  
CCP-100

### Features

- ✓ Class 1 Inc. cartridge style DISS gas specific Outlet
- ✓ Provides Remote Outlet Pressure Control
- ✓ Simple installation
- ✓ Designed for ease of service
- ✓ Panel Mounted Components
- ✓ Stainless Steel Panel



Note: Nitrogen is shown, each control panel will have gas specific labels

### Specifications

**Front Panel:** Stainless steel front panel complete with black silk screened labeling.

Panel mounted components to include:

- 1750 kPa [250 PSI], high flow, self-relieving, adjustable, lockable, pressure regulator
- quarter-turn brass ball type inlet supply valve
- 50mm [2"] diameter 0 - 2100 kPa [0 - 300 PSI] inlet pressure gauge
- 50mm [2"] diameter 0 - 2100 kPa [0 - 300 PSI] outlet pressure gauge

*Class 1 Inc.* cartridge style DISS gas specific outlet

**Rough-In Box:** 14 gauge, extruded aluminum, backbox complete with plaster mounting flange. Inlet and outlet supply tubes to be 3/8" OD Type K copper, complete with brass fittings.

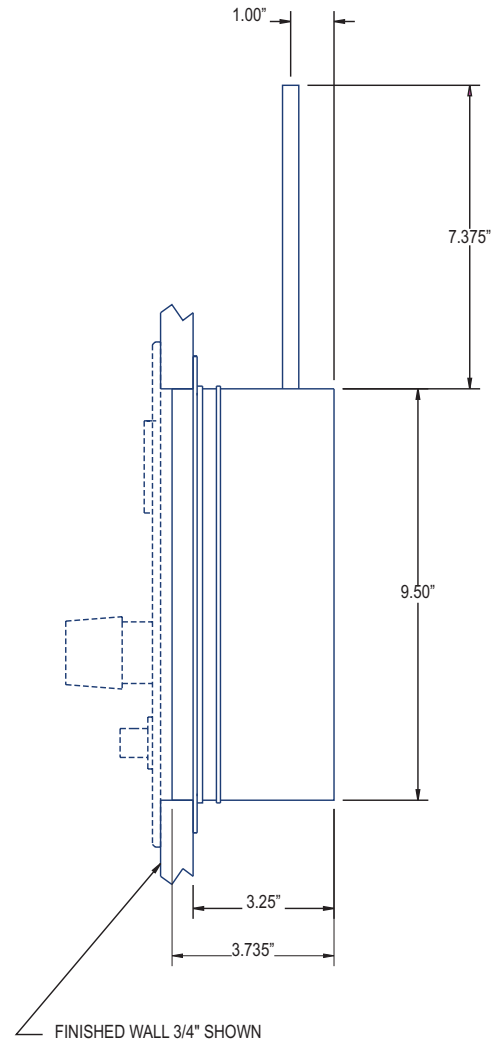
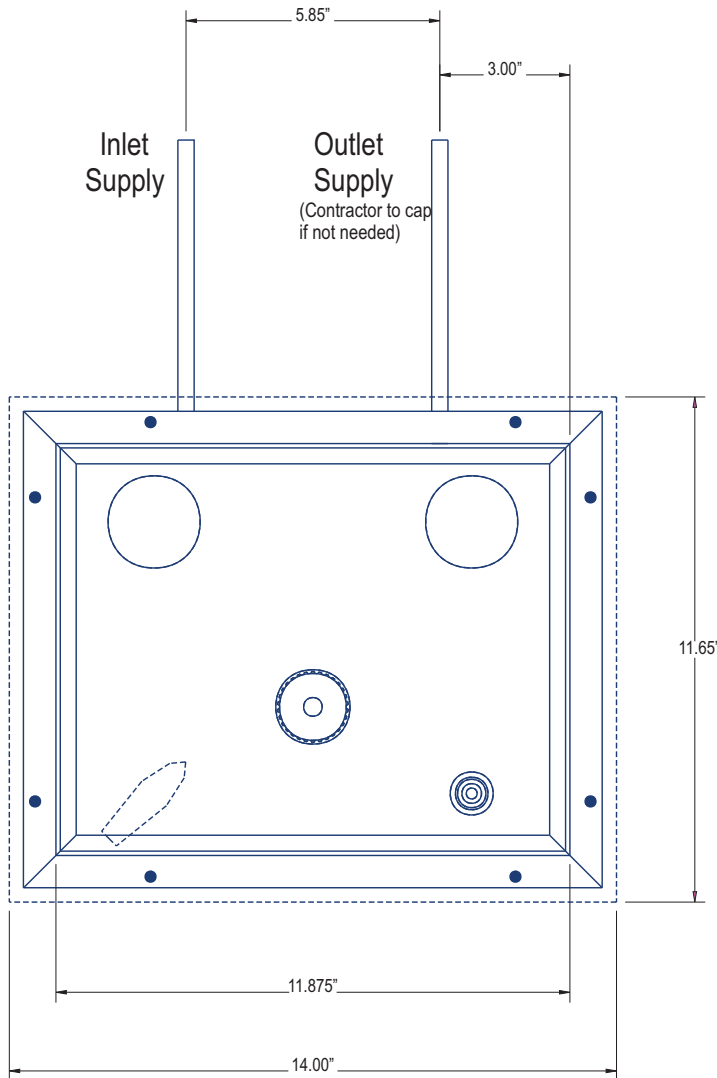
**Piping:** Inlet and outlet supply tubes to be 3/8" OD Type K copper, complete with brass fittings. 5/16" ID, 2800 kPa [400 PSI] rated flexible tubing, complete with brass quick-connect fittings. Provision for 24 hour standing pressure test to include factory installed cross-over tubing.

Each control panel to be factory tested and packaged for cleanliness.



## Gas Control Panel

NCP-100 IP-100  
IP-100  
CCP-100



### Ordering Information

- NCP-100** Nitrogen Control Panel w/ DISS Outlet and Remote Outlet Supply
- IP-100** Instrument Air Control Panel w/ DISS Outlet and Remote Outlet Supply
- CCP-100** CO2 Control Panel w/ DISS Outlet and Remote Outlet Supply