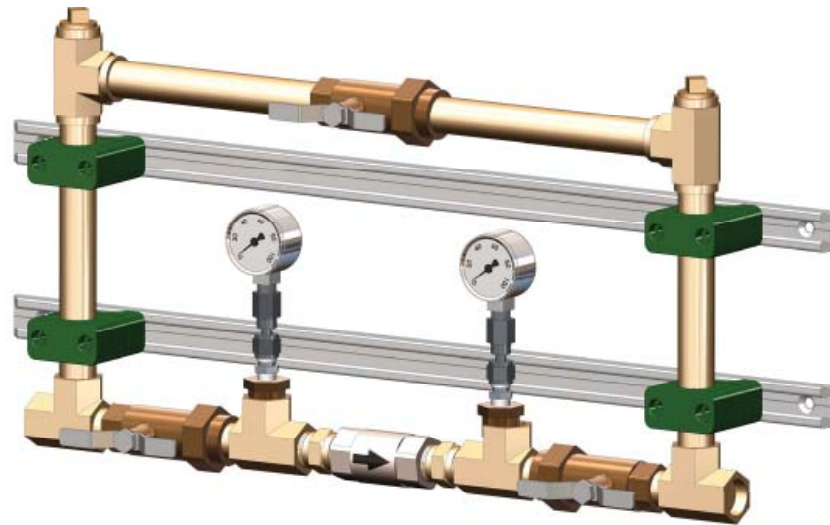


Inlet Check Valve Assembly

1/2" | 3/4" | 1" | 1 1/4" | 1 1/2" | 2"

Features

- ✓ Factory assembled and tested
- ✓ Check valve removable for service
- ✓ CRN Registered components
- ✓ Convenient corrosion resistant mounting rails



Specifications

Class 1 Inc. ICV Series Inlet Check Valve Assembly. Assembly to be factory assembled and tested and supplied cleaned for oxygen service. The assembly shall include a 3-valve bypass, union fittings, pressure switch port, and pre and post pressure gauges to facilitate service of the check valve.

Check valve: In-line bubble-tight, soft-seat check valve complete with bronze body, brass retainer, check and guide, stainless steel guide pin and spring, and EPDM seat. Check valve rated for 400 PSI working pressure.

Isolation Valves: Quarter-turn on-off ball type, complete with bronze body, chrome plated bronze ball, Teflon seals, machined brass face-seal union fittings with Viton seals, and rated for 600 PSI working pressure.

Gauges: 2-1/2" OD brass housing, 0 to 100 PSI, and labelled and colour coded for Oxygen service. Gauge shall be labelled "Use No Oil".

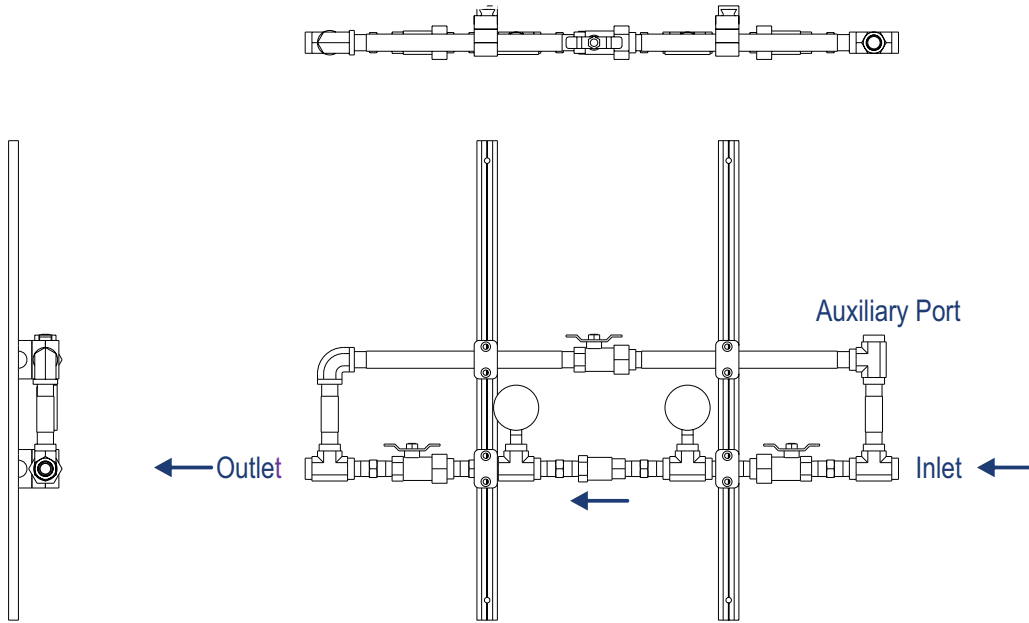
Mounting Rails: Assembly to be mounted to two 24" vertical heavy-duty anodized aluminum rails to facilitate wall mounting.

Warning Label: Assembly to ship complete with a warning label suitable for wall mounting and labelled as follows:

"CAUTION: MEDICAL GAS SYSTEM CONTROL VALVES. DO NOT CLOSE EXCEPT IN EMERGENCY".

Inlet Check Valve Assembly

1/2" | 3/4" | 1" | 1 1/4" | 1 1/2" | 2"



Ordering Information

- 3/4".....ICV-750
- 1".....ICV-1000.
- 1-1/2".....ICV-1500
- 2".....ICV-2000