

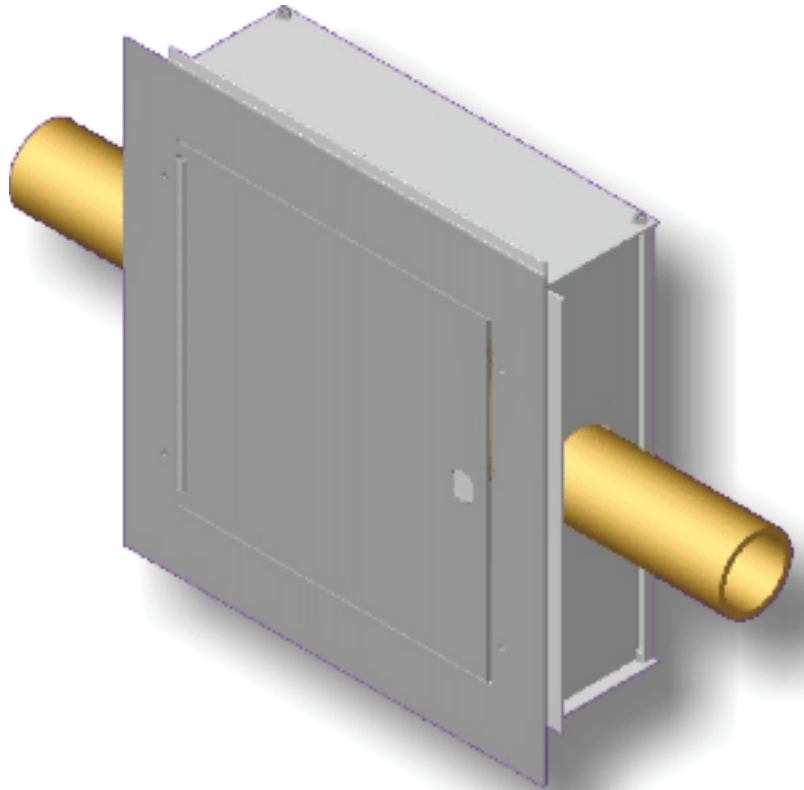


Lockable Valve Box

1/2" | 3/4" | 1" | 1-1/4" | 1-1/2" | 2"

Features

- ✓ Lockable
- ✓ Stainless steel front pane
- ✓ Enamelled white aluminum box and frame
- ✓ CRN Registered Valve Assemblies



Specifications

Class 1 Inc. 9100 Series Lockable Valve Box. Valves shall be quarter-turn on-off ball type, cleaned for oxygen service, factory pressure tested, in-line serviceable and rated for 600 PSI.

Valves and visible piping shall be complete with a 1/8" FNPT port downstream of the valve. Valve assemblies shall be complete with bronze body, lever handle, chrome-plated bronze ball, teflon seals and seats, and 10" unplated type K copper tubing extensions.

Valves shall be mounted in a recessed extruded aluminum valve box, complete with enamelled white finish. Front panel

to be stainless steel with a No. 4 brushed satin finish, complete with a full size access door, quarter-turn lock and key. Front panel to be labelled:

"CAUTION: MEDICAL GAS SYSTEM CONTROL VALVES. DO NOT CLOSE EXCEPT IN EMERGENCY".

Optional:

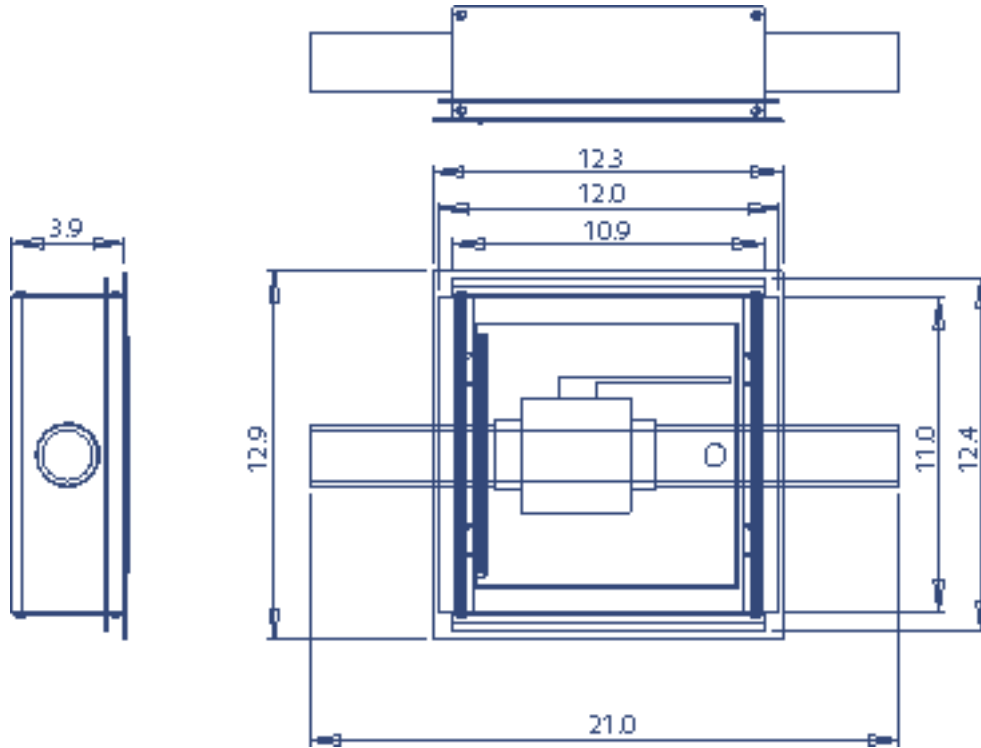
Valves shall include 0 - 100 PSI gauges for Oxygen, Medical Air and Nitrous Oxide, 0 - 300 PSI gauges for Nitrogen and 0 - 30" Hg gauges for Medical Vacuum downstream of the shut-off



Lockable Valve Box

1/2" | 3/4" | 1" | 1-1/4" | 1-1/2" | 2"

Dimensions



Ordering Information

- 1/2".....9101-2
- 3/4".....9101-3
- 1".....9101-4
- 1-1/4".....9101-5
- 1-1/2".....9101-6
- 2".....9101-7

Please specify gas service.
Add suffix "G" to order
units complete with gauge

