

## Single Port Isolation Valves

1/2" | 3/4" | 1" | 1 1/4" | 1 1/2" | 2"

- In-line serviceable
- Locking handle
- Single gauge/purge ports
- Flared female tube ends
- Three-piece, full-port
- CRN Registered



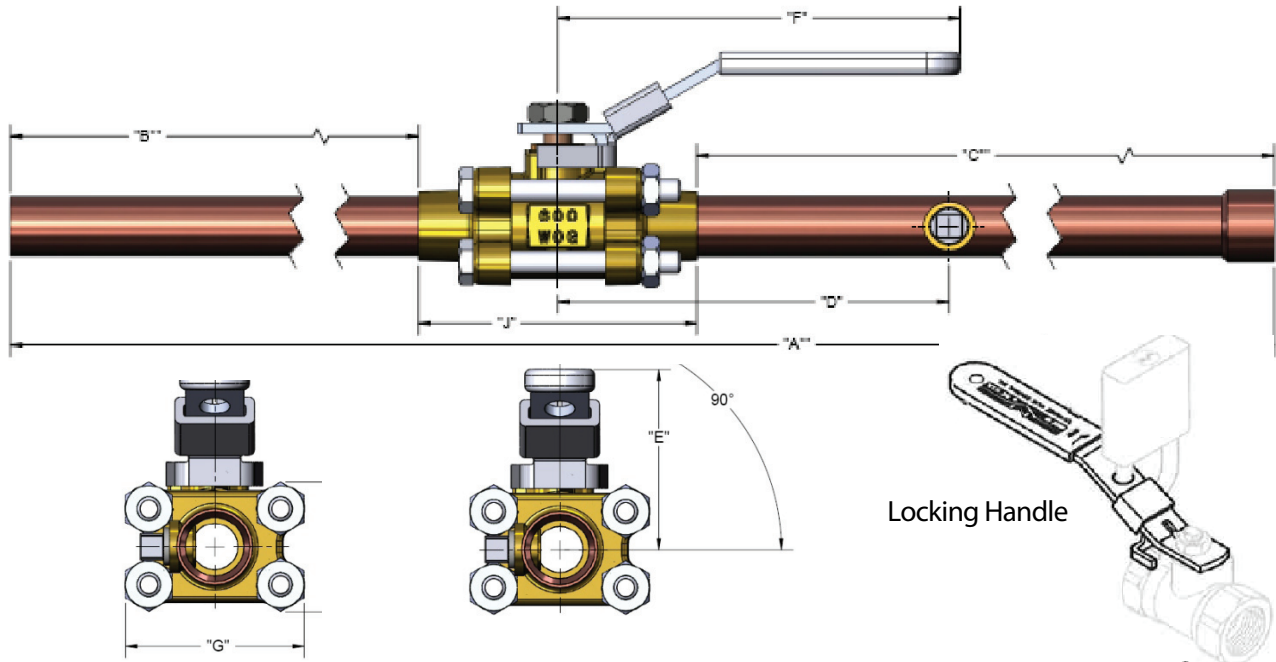
### Specifications

Class 1 Series 8300 Isolation Valves shall be quarter-turn on-off ball type, cleaned for oxygen service, factory pressure tested, in-line serviceable and rated for 600 PSI.

The Series 8300 Isolation valves shall be complete with a three-piece, full-port bronze body, lever handle, chrome-plated bronze ball, Teflon seals and seats, type K degreased copper tubing extensions complete with female "flared" ends and one brass 1/8 FNPT port on the downstream side to facilitate installation and purging. Valves to be complete with locking handle suitable for locking valve in either the open or closed position. Valves to be factory capped and packaged for cleanliness.

# Single Port Isolation Valves

1/2" | 3/4" | 1" | 1 1/4" | 1 1/2" | 2"



## Dimensions

Pipe Size (mm)	Size (")	A	B	C	D	E	F	G	H	J
13	(1/2)	20.05	6	11.25	4.25	1.9	3.8	1.9	1.3	2.8
19	(3/4)	20.65	6	11.25	4.25	2.3	4.8	2.1	2.1	3.4
25	(1)	21.15	6	11.25	4.25	2.4	4.8	2.4	2.4	3.9
32	(1 1/4)	22.05	6	11.25	4.25	2.8	4.8	2.9	2.9	4.8
38	(1 1/2)	22.55	6	11.25	4.25	3.1	4.8	3.1	3.1	5.3
51	(2)	23.35	6	11.25	4.25	3.6	4.8	3.9	3.9	6.1

## Order Information

Model No.	Pipe Size (Inches)	Pipe Size (mm)
8300-2002	1/2	13
8300-2003	3/4	19
8300-2004	1	25
8300-2005	1 1/4	32
8300-2006	1 1/2	38
8300-2007	2	51